

TEMPORARY OVERHEAD SERVICE INSTALLATION

A. GENERAL NOTES:

- Pole length determined by service drop clearance requirements.

Clearance Requirements	→	12.5 ft. - sidewalk only (restricted traffic)
		16.5 ft. - residential driveway only
		16.5 ft. - public driveways, alleys, and roads, construction areas

Pole specifications: 15" minimum circumference pressure treated creosote, CCA, or Penta 6" x 6" square treated timber minimum. **Shortest acceptable pole is 18 feet, set 4 feet deep.**

- Conductors, conduit, conduit straps, lock nuts, bushings, connectors, and miscellaneous mounting hardware furnished and installed by customer.
- Meter sockets shall be furnished by customer after November 1, 1996 and installed by customer. MPC maintains a list of approved sockets for use on its system.
- Bracing is required for service drop **greater than 100'**. Entire length cannot exceed 125'.
- Grounding electrode conductor shall be #4 AWG copper or greater.
- Minimum 8' grounding electrode required (copper clad, aluminum clad, or steel).
- Service across a state or federal highway requires state highway permits from the Department of Transportation.
- Refer to pages 17 and 18 for further information.

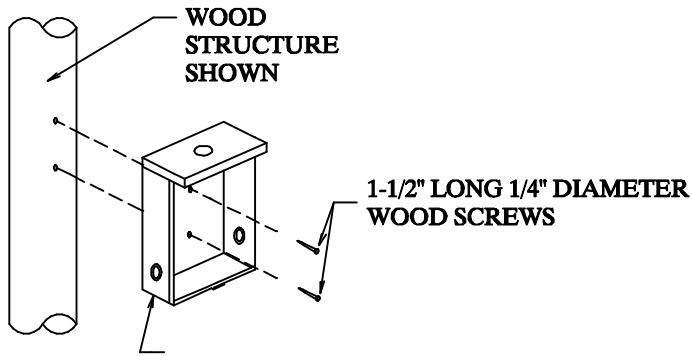
B. MOUNTING:

- Meter sockets, cabinets, trough and conduits shall be surface mounted.
- All screws and bolts shall be minimum #12 x 1-1/2" corrosion resistant type screws. **Nailing to pole is not permissible.**
- Conduit ends shall be equipped with a proper bushing to protect conductors.

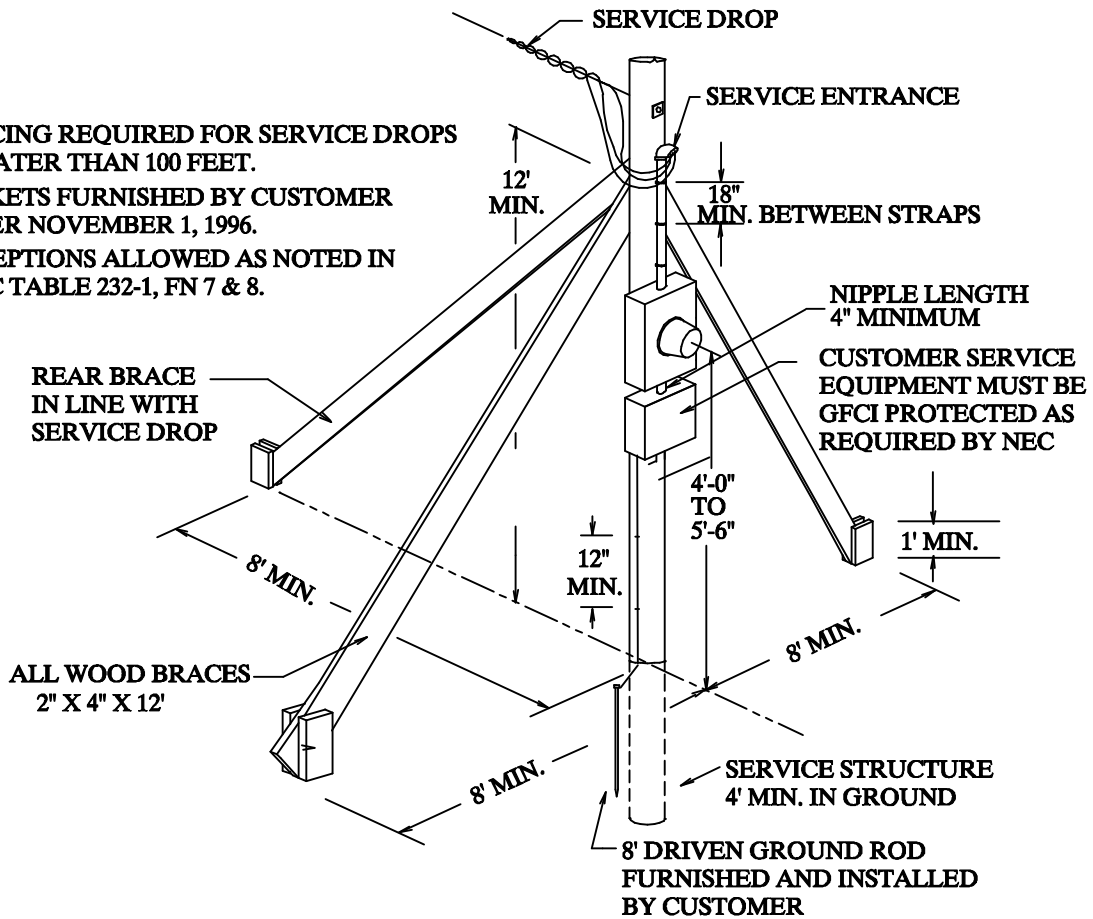
C. CONNECTIONS:

Customer shall apply a non-grit type corrosion inhibitor to connections and terminate them by torquing to manufacturer's specifications located in the enclosure. **Do not over-torque!**

- All service drop connections shall be made by Company.
- Disconnection of service and removal of service drop shall be made by Company **only**.



**NOTE: BRACING REQUIRED FOR SERVICE DROPS GREATER THAN 100 FEET.
 SOCKETS FURNISHED BY CUSTOMER AFTER NOVEMBER 1, 1996.
 EXCEPTIONS ALLOWED AS NOTED IN NESC TABLE 232-1, FN 7 & 8.**



DISTRIBUTION SPECIFICATIONS

©



SUBJECT CONSTRUCTION SERVICE - TEMPORARY

DETAIL OVERHEAD SERVICE POLE

Date 05/30/96

Plate 31

File MS0015

TEMPORARY UNDERGROUND SERVICE INSTALLATION

A. GENERAL NOTES:

- Pole length 6' minimum
- Pole type specification: 4" x 4" pressure treated creosote, CCA, or penta
- Conduit shall be two inch (2") minimum trade size rigid galvanized conduit furnished and installed by customer. Weather proof switchbox shall be furnished and installed by customer.
- Meter sockets shall be furnished by customer after November 1, 1996 and installed by customer. MPC maintains a list of approved sockets for use on its system.
- Grounding electrode conductor shall be #4 AWG copper or greater
- Minimum 8' grounding electrode required (copper clad, aluminum clad, or steel).
- Service across a state or federal highway requires state highway permits from the Department of Transportation.
- Installation to be within five feet of temporary service stub-out.
- Refer to page 19 for further information.

B. MOUNTING:

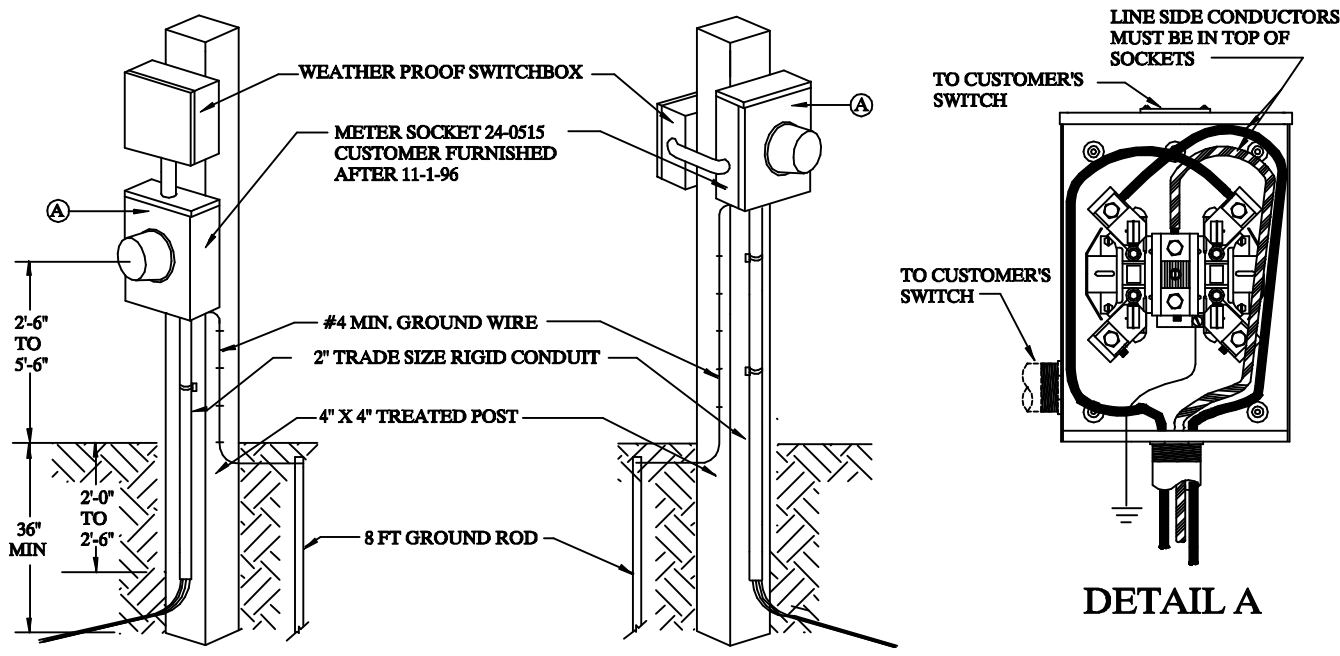
- Meter sockets, cabinets, trough and conduits shall be surface mounted.
- All screws and bolts shall be minimum #12 x 1-1/2" corrosion resistant. Nailing to pole is not permissible.
- Conduit ends shall be equipped with a proper bushing to protect conductors.

C. CONNECTIONS:

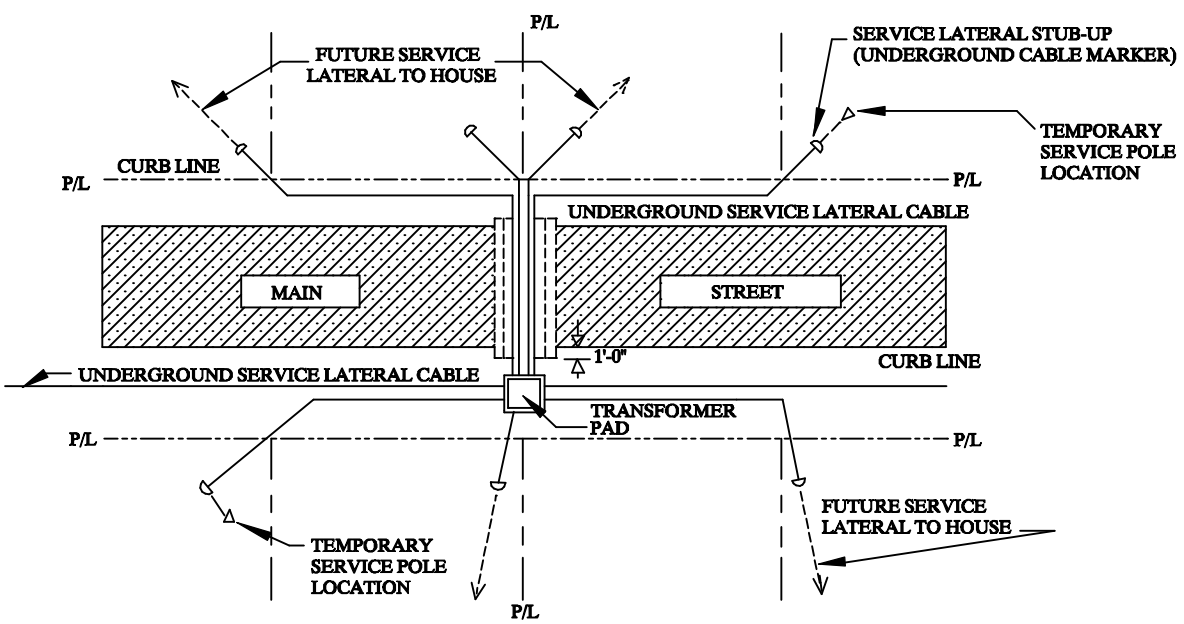
Customer shall apply a non-grit type corrosion inhibitor to connections and terminate them by torquing to manufacturer's specifications located in the enclosure. **Do not over-torque!**

- All service drop connections shall be made by Company.
- Disconnection of service and removal of service drop shall be made by Company **only**.


SERVICE POST INSTALLATION



TYPICAL LOCATIONS



TEMPORARY SERVICE UNDERGROUND RESIDENTIAL

Mississippi Power 
the southern electric system

DISTRIBUTION SPECIFICATIONS ©

SUBJECT TEMPORARY UNDERGROUND - RESIDENTIAL

DETAIL _____

Date 05/30/96

Plate 33

File MS0016